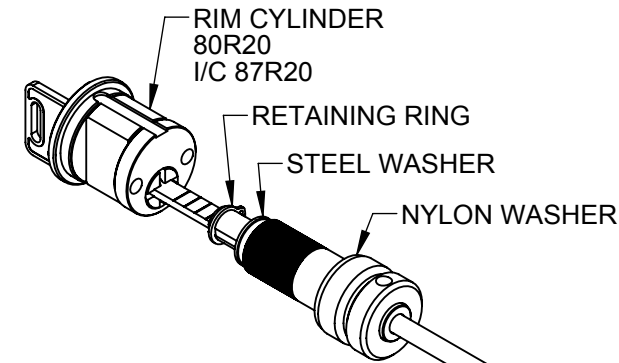
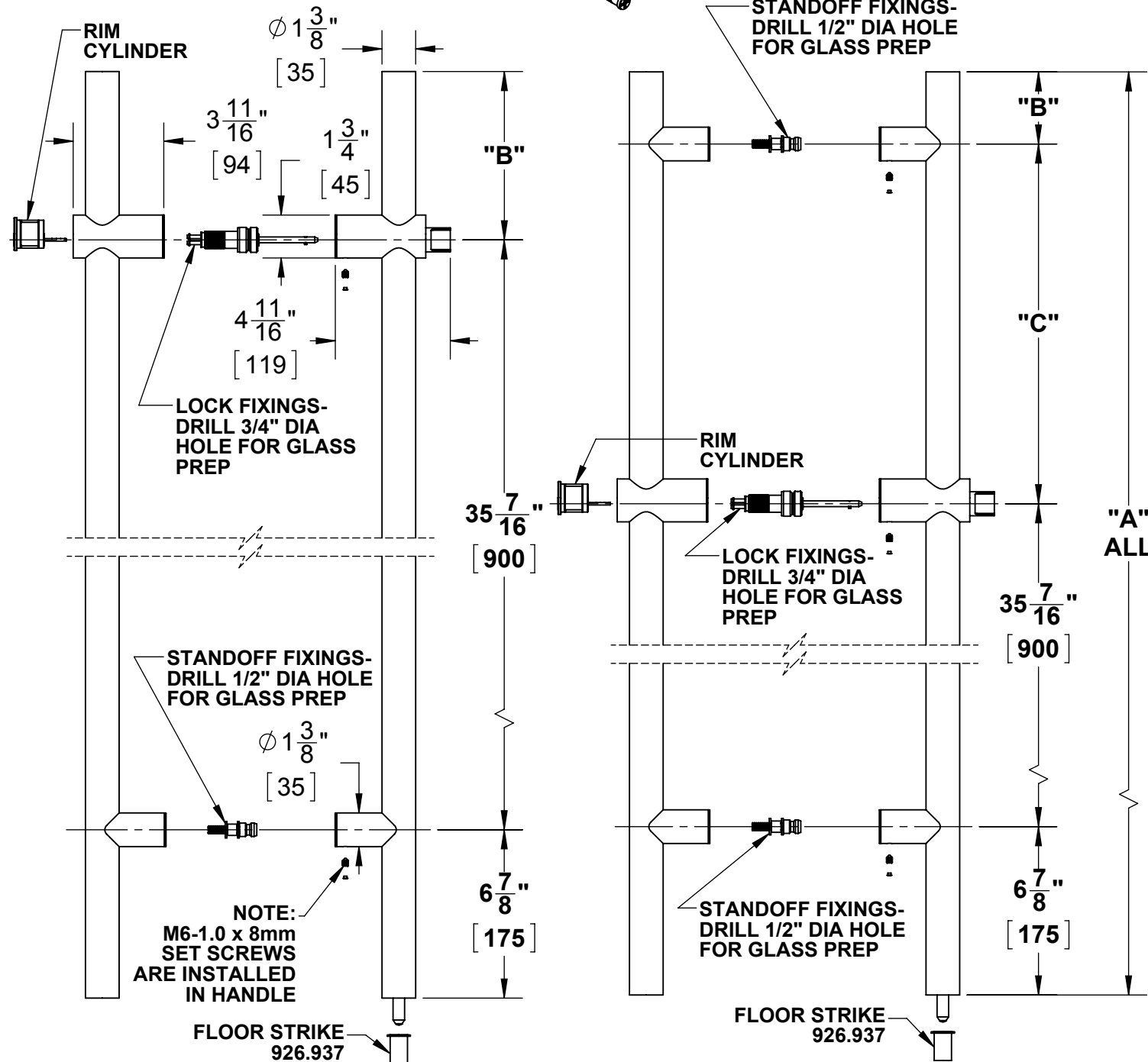
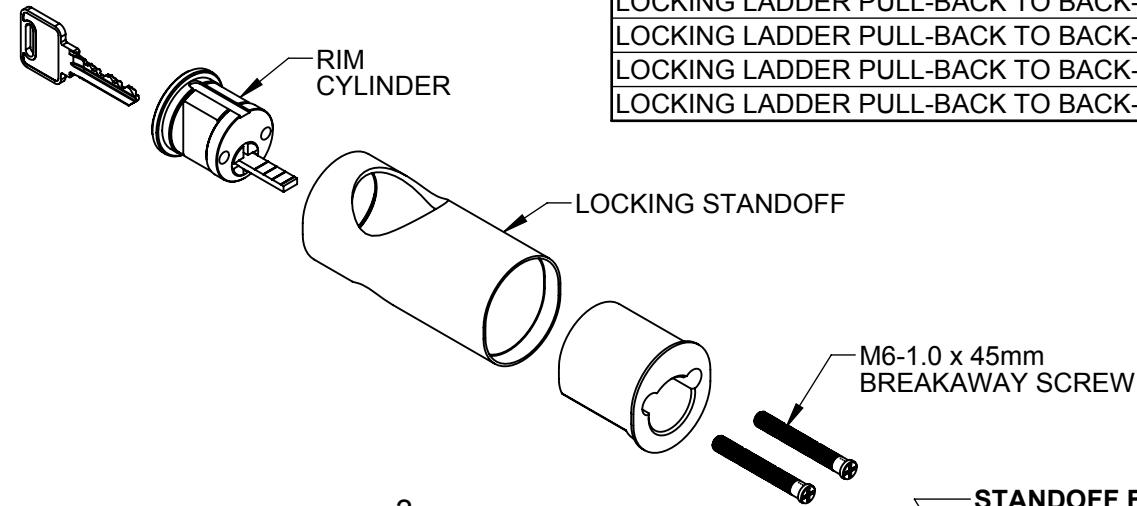
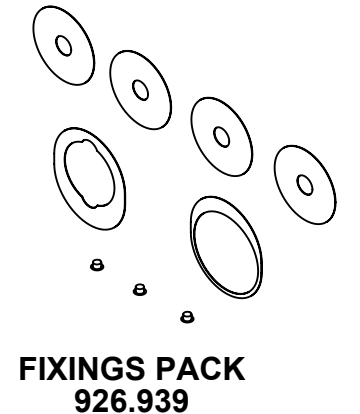
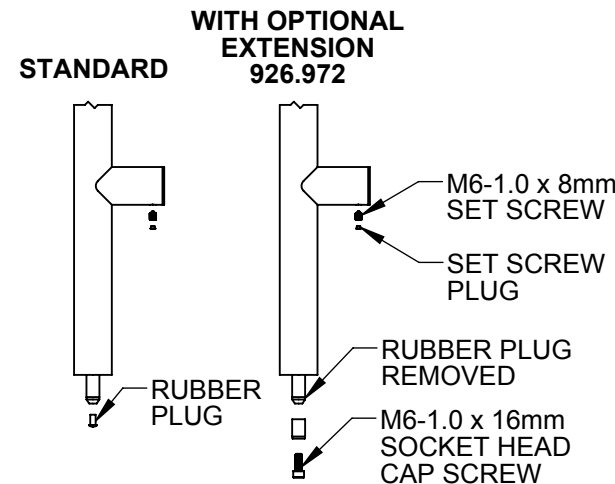


DESCRIPTION	PART NO.	STAND-OFFS	DIM "A"	DIM "B"	DIM "C"	MISC. FIXINGS	FLOOR STRIKE	1/2" GLASS-LOCK	1/2" STAND-OFFS	3/4" GLASS-LOCK	3/4" STAND-OFFS	1-3/4" WOOD-LOCK	1-3/4" STAND-OFFS
LOCKING LADDER PULL-BACK TO BACK-49"	926.930	2	49-3/16"	6-7/8"	---	926.939	926.937	926.938	926.907	926.911	926.907	926.890	926.909
LOCKING LADDER PULL-BACK TO BACK-60"	926.936	3	60"	2-15/16"	14-3/4"	926.939	926.937	926.938	926.907	926.911	926.907	926.890	926.909
LOCKING LADDER PULL-BACK TO BACK-72"	926.932	3	72"	2-15/16"	26-3/4"	926.939	926.937	926.938	926.907	926.911	926.907	926.890	926.909
LOCKING LADDER PULL-BACK TO BACK-84"	926.933	3	84"	2-15/16"	38-3/4"	926.939	926.937	926.938	926.907	926.911	926.907	926.890	926.909



STANDARD 1/2" GLASS LOCK FIXINGS FURNISHED WITH HANDLE

NOTE: POSITION ROLL PIN DOWN. IT MUST LINE UP WITH SLOT IN OPPOSITE HANDLE.



DO NOT SCALE DRAWING		INTERNAL USE ONLY - DO NOT DISTRIBUTE	
All Dimensions Are in Inches [mm]. Tolerances Unless Otherwise Specified: Decimal: .XXX = ±.005 [0.13mm] .XX = ±.010 [0.25mm] .X = ±.050 [1.27mm] Fractional & Others = ±1/32 [0.79mm]			
DORMA USA Inc. Dorma Drive, Reamstown, PA 17567 Phone: 717-336-3881			
LOCKING LADDER PULLS-B2B			
Material: SSSL	Finish: SATIN/BRUSHED	Drawing No.:	
Drawn By: C. BRUBAKER	Date: 3/12/2014	Drawing No.:	
NOTE: All Perpendicular Lines Are to be Considered at 90 Degs & Must Meet Angular Tolerance as Specified.		TS 007	
This Drawing May Contain Information Which is Proprietary Property of DORMA USA Inc. This Drawing is Received in Confidence and its Contents May Not Be Disclosed or Reproduced Without Prior Written Consent From DORMA USA Inc.		Scale 1:1	Sheet 1 of 1